

HARKEN®

INSTALLATION SHEET

Big Boat Control Blocks, Track and Trim Caps

Control Blocks: 3168, 3169, 3170, 3171

Track: 3154, 3155, 3156, 3159

Trim Caps: 3157, 3158

N15W24983 Bluemound Rd., Pewaukee, WI 53072-4974 USA

Telephone: (262) 691-3320 • Fax: (262) 701-5780

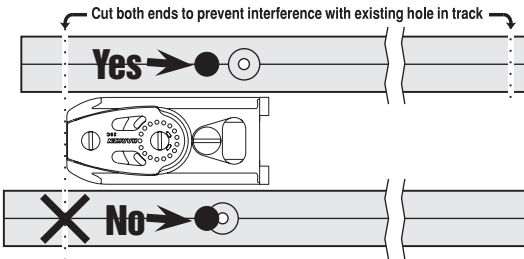
Web: <http://www.harken.com> • Email: harken@harken.com

Read instructions before you cut or mount track

It may be necessary to put trim caps, control blocks and traveler car on track before mounting. Slide control assemblies onto track with bumper facing car. Keep control assembly loose so it can be moved out of the way while installing track.

Cut Track

To cut track to length, make sure stop holes for control blocks do not interfere with hole for mounting track. If necessary, cut both ends of track.



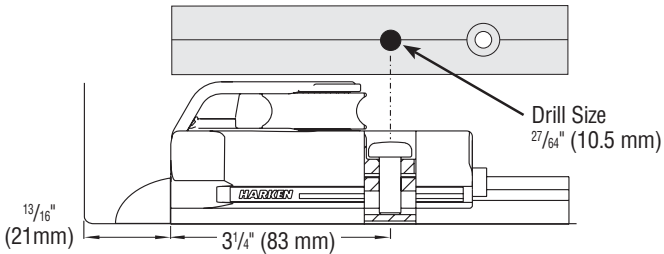
Cockpit Installation

To determine correct track length, make sure track ends, without trim caps, are $\frac{13}{16}$ " (21 mm) from edge of cockpit coaming.

Mount Track

Through-bolt track using $\frac{5}{16}$ " (8 mm) flathead screws. 3156 Track uses slide bolts, see instruction sheet for correct installation.

Install Control Blocks



Position control block flush with end of track. Drive screw firmly against top surface to mark track, then loosen. Slide control block away.

IMPORTANT: Drill $\frac{27}{64}$ " (10.5mm) hole only through top surface of track. Do not use screw hole in control block as drill guide.



1846, 3154, 3155, 3159
Use 25 mm Screws



3156
Use 45 mm Screws

Secure control block to track by tightening correct screw into hole.

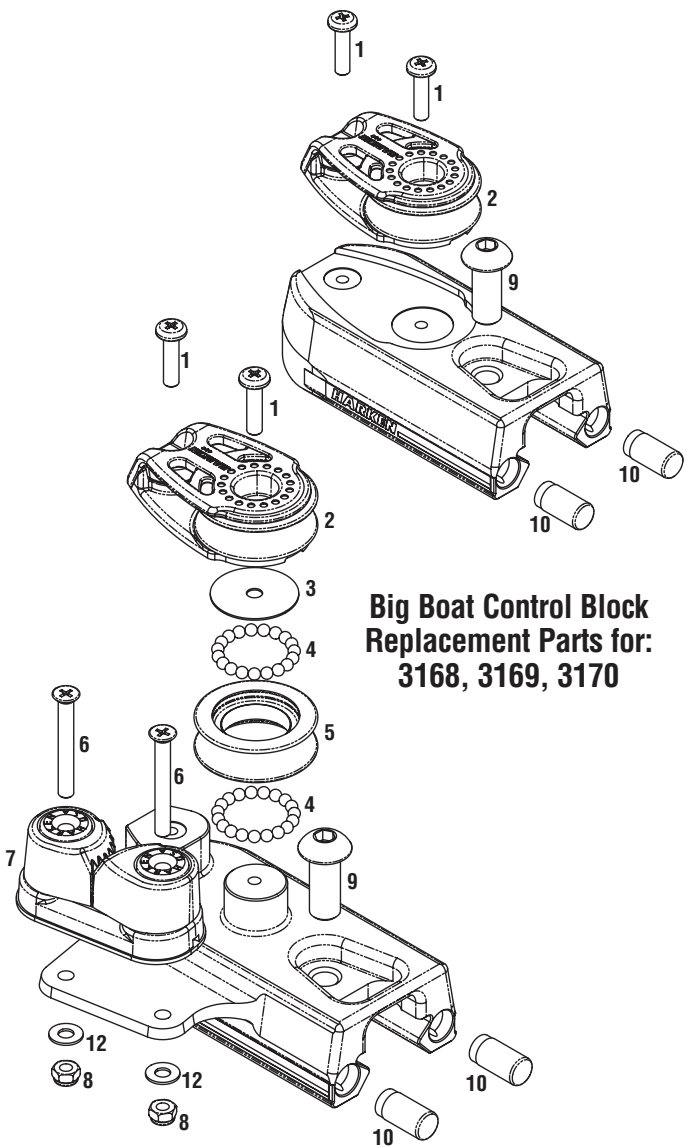
Dead-ending Line at End Control



IMPORTANT: Insert loop down from above.

Install Trim Caps

Remove any burrs on edges of track. Press 3157 or 3158 trim caps in place.



**Big Boat Control Block
Replacement Parts for:
3168, 3169, 3170**

Replacement Parts

No.	Part No.	Description	No.	Part No.	Description
1	HFS1019	Cheek assembly screws (2)	8	HFS340	Cam Assembly Nut (2)
2	2644	Cheek Block	9	HBB172	Control Block Screw (Set)
3	H-34333A	Washer		HFS1073	m10 x 1.5 x 25mm
4	H-25975A	Bearings (38)		HFS1074	m10 x 1.5 x 45mm
5	H-25863B	Sheave	10	H-38067A	Control Block Bumpers (2)
6	HFS1078	Cam Assembly Screws (2)	11	4307	Harken Label
7	150	Cam-Matic® Cam Cleat	12	HFS111	Washer (2)

Maintenance

Traveler Cars: Clean by frequently flushing with fresh water. Periodically clean car by squirting a detergent/water solution into center openings. Roll car back and forth to distribute evenly then flush bearings with fresh water.

Do not use spray lubricants because ball bearings may skid not roll. Apply one to two drops of McLube® OneDrop™ to ball contact surfaces of track. Roll car back and forth through OneDrop™ several times to distribute onto bearings. Wipe remaining OneDrop™ off track. OneDrop™ is preferred but you can also use one to two drops of a light machine oil. Too much oil attracts dirt.

Track: Clean with detergent and water.

Important! Exposure to some teak cleaners and other caustic solutions can result in discoloration of part and is not covered under the Harken warranty.

Warranty

For additional safety, maintenance and warranty information see www.harken.com/ manuals or the Harken® catalog.