

HARKEN®

INSTALLATION SHEET

213 Windward Sheeting Adapter Kit

For use on Harken 156/157/158/159/171/172 Small Boat Cars

248 Windward Sheeting Adapter Kit

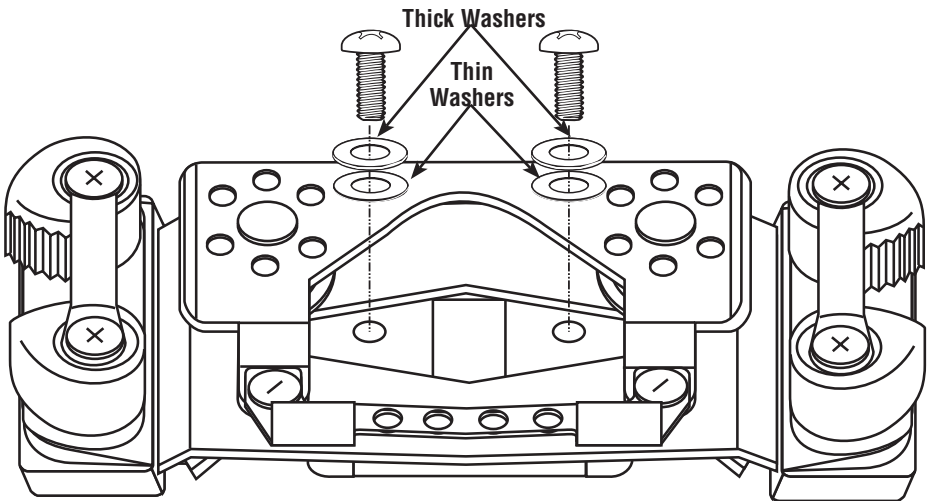
For use on 215 Small Boat Car

N15W24983 Bluemound Road • Pewaukee, WI 53072 USA

Tel: 262-691-3320 • Fax: 262-701-5780

Web: www.harken.com • Email: harken@harken.com

Installing Thick and Thin Washers

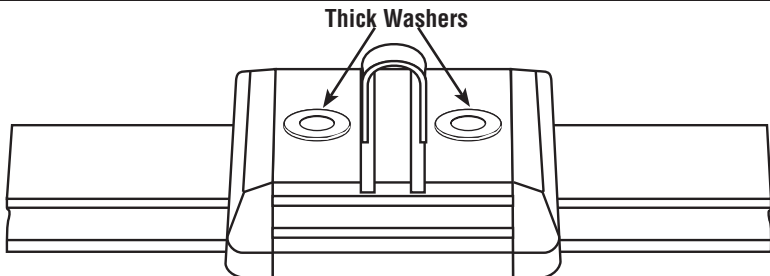


Two “thin” washers are included in the windward sheeting adapter kit. Slip a “thin” washer on the screw below the “thick” washer as shown below.

Thickness of thin washer: .042" (1 mm)

Thickness of thick washer: .086 (2 mm)

213 Kit Only: Installing Additional Thick Washers



Install the other “thick” washers between the windward sheeting mechanism and the car as shown in step 4 on page 4 of the manual. The additional thin washer is necessary so that the stopper tap hits the thick washer instead of the screw head.