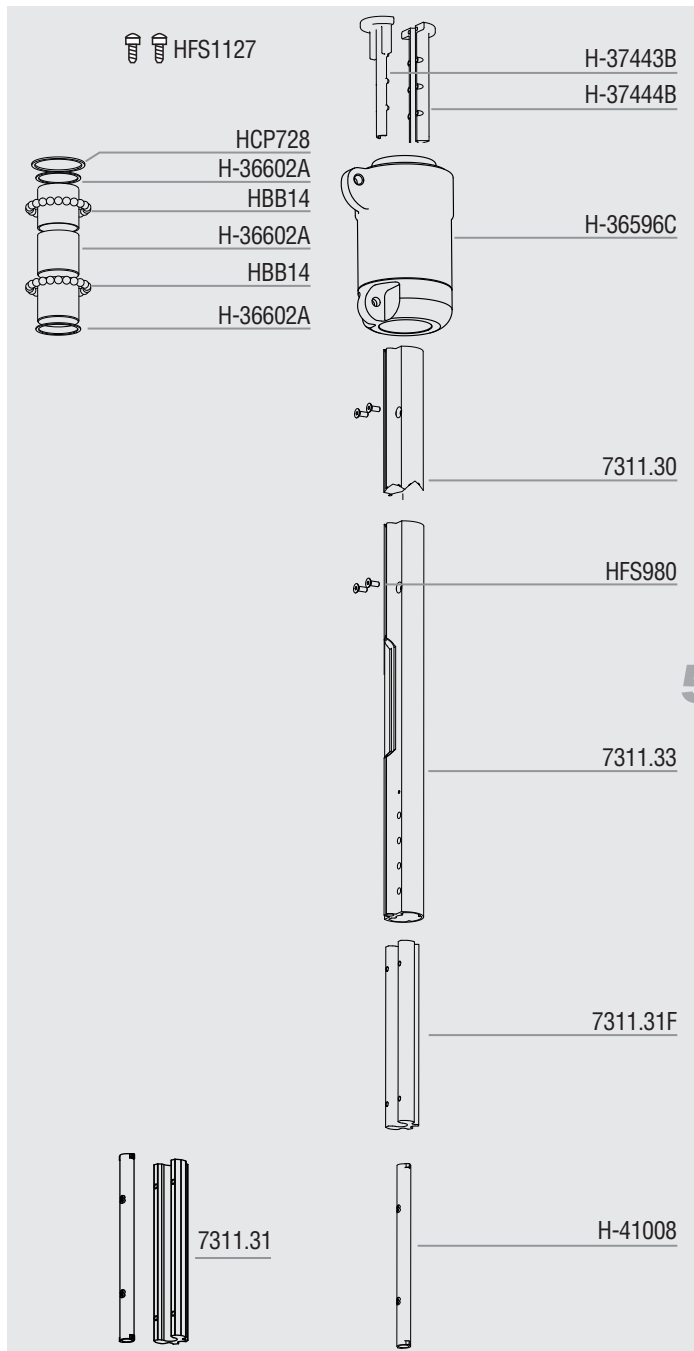


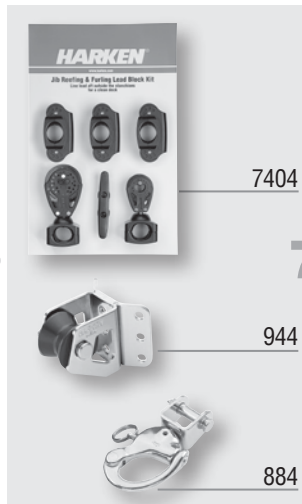
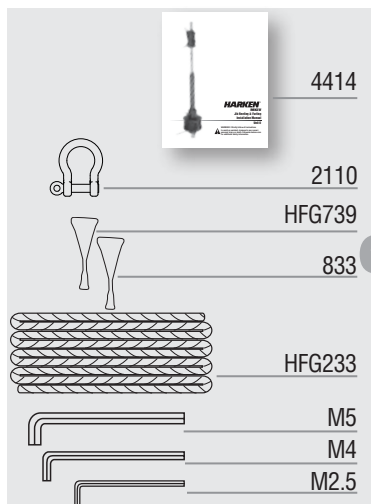
	Description	Order	Part No
<b>1</b>	<b>Top Cover Assembly w/Screws</b>	<b>1</b>	<b>HFG686</b>
	Top Cover	2	H-35665D
	Top Cover Screw	2	HFS980
<b>2</b>	<b>Bottom Flange Assembly w/Screws</b>	<b>1</b>	<b>HFG687</b>
	Flange	2	H-35600C
	Bottom Flange Screw	2	HFS980
<b>2</b>	<b>Guard Assembly</b>	<b>1</b>	<b>HFG688</b>
	Guard	2	H-35199E
	Guard Screw	2	HFS1052
<b>3</b>	<b>Torque Tube Screws</b>	<b>2</b>	<b>HFS1337</b>
<b>4</b>	<b>Hub</b>	<b>1</b>	<b>HFG145</b>
	Ball Plugs	3	H-35144A
	Delrin Ball Bearing	72	HBB152
	Igus Crossspin Bushing	2	H-36636A



5

Description	Order	Part No.
<b>Trim Cap Half A</b>	<b>1</b>	<b>H-37443B</b>
<b>Trim Cap Half B</b>	<b>1</b>	<b>H-37444B</b>
<b>Trim Cap Screw</b>	<b>2</b>	<b>HFS1127</b>
<b>Halyard Swivel</b>	<b>1</b>	<b>H-36596C</b>
Clip/Smally Ring	1	HCP728
Clip/Smally Ring for liners	2	H-36602A
Liner/Igus	3	H-36604A
Torlon Ball Bearings	42	HBB14
<b>Foil (7'/2.13 m Luff)</b>	<b>6</b>	<b>7311.30</b>
<b>Foil (2'/610 mm) Bottom w/Feeder</b>	<b>1</b>	<b>7311.33</b>
<b>Connector</b>	<b>6</b>	<b>7311.31F</b>
<b>Connector Screw</b>	<b>30</b>	<b>HFS980</b>
<b>Connector Isolator</b>	<b>6</b>	<b>H-41008</b>
<b>Connector w/isolator</b>		<b>7311.31</b>

5



6

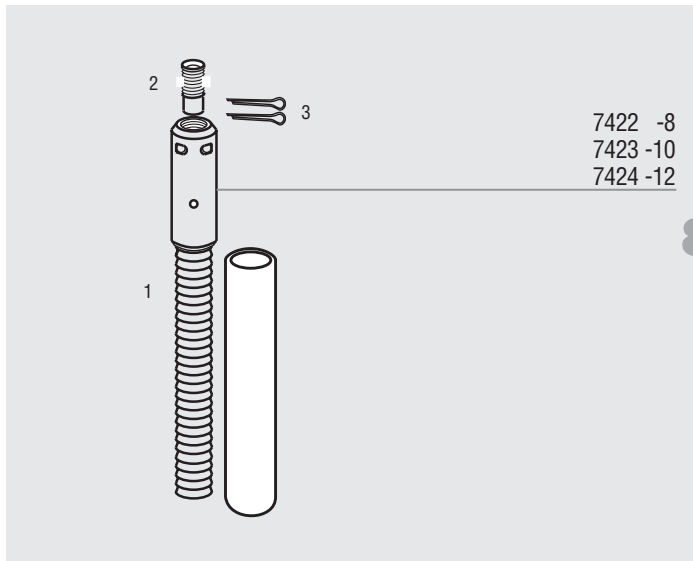
7

6

Description	Order	Part No
<b>Instruction Manual</b>	<b>1</b>	<b>4414</b>
<b>Shackle</b>	<b>3</b>	<b>2110</b>
<b>Red Loctite®</b>	<b>2</b>	<b>HFG739</b>
<b>Blue Loctite®</b>	<b>1</b>	<b>833</b>
<b>7mm Double Braid Polyester (70', 21.3 m)</b>	<b>1</b>	<b>HFG233</b>
<b>Allen Wrenches</b>		
M2.5	1	HCP1387
M4	1	HFG640
M5	1	HFG642

7

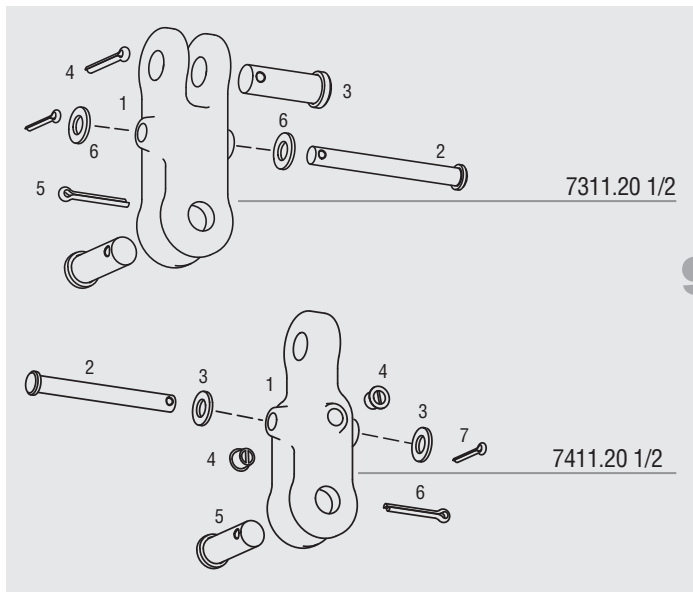
Description	Order	Part No
<b>Lead Block Kit</b>	<b>1</b>	<b>7404</b>
29 mm Outboard Lead Assembly	3	7403
57 mm Carbo Ratchet Assembly	1	7402
40 mm Carbo Assembly	1	7401
Horn Cleat	1	HCP168
<b>Halyard Restrainer</b>	<b>1</b>	<b>944</b>
Sheave/SS Inner Race Only	1	944A
Clevis Pin (1/4" x 1.0625" 18-8)	1	HFG467
Bracket-Large	1	HCP393
Cotter Pin (1/16" x .500" 18-8)	1	HFS118
<b>Snap Shackle</b>	<b>1</b>	<b>884</b>



7422 -8  
7423 -10  
7424 -12

8

No.	Description	Order	Part No	Part No
<b>8 Rod Adapter Stud w/Nosepiece</b>				
1	Stud (Main Body)	1	H-41536	H-41536
2	Nosepiece	1	H-41534	H-41535
3	Cotter Pin	2	HFG193	HFG193
No.	Description	Order	Part No	
<b>8 Rod Adapter Stud w/Nosepiece</b>				
1	Stud (Main Body)	1	H-41531	
2	Nosepiece	1	H-41527	
3	Cotter Pin	2	HFG193	

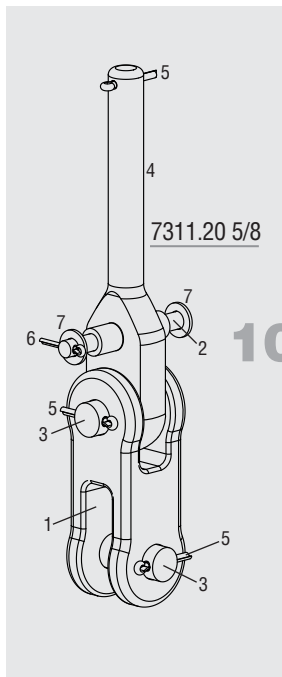


7311.20 1/2

7411.20 1/2

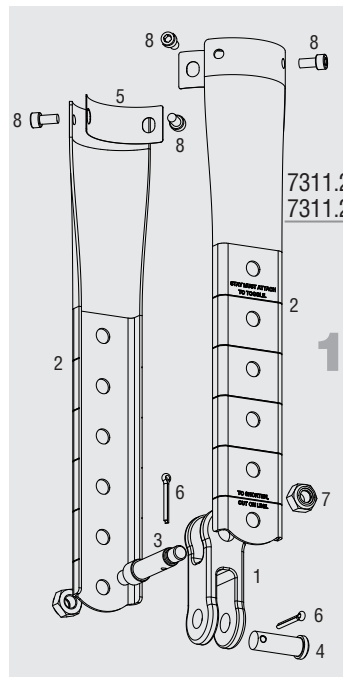
9

No.	Description	Order	Part No	
<b>9 Jaw/Jaw Toggle</b>				
1	Toggle	1	H-42336	
2	Crosspin	1	H-42396	
3	Clevis Pin	2	H-42395	
4	Cotter Pin	2	HFS220	
5	Cotter Pin	1	HFS181	
6	Nylon Washer	2	HFS1109	
<b>9 Eye/Jaw Toggle Reversible</b>				
1	Toggle	1	H-37675C	
2	Crosspin	1	H-42396	
3	Nylon Washer	2	HFS1109	
4	Cross Hole Plug	2	H-42049	
5	Clevis Pin	1	h-42395	
6	Cotter Pin	1	HFS220	
7	Cotter Pin	1	HFS181	
<b>10 Stud/Jaw Toggle</b>				
1	Jaw Jaw Toggle	1	H-41300	
2	Crosspin	1	H-42396	
3	Clevis Pin	2	H-42397	
4	Stud	1	H-43207	
5	Cotter Pin	3	HFS220	
6	Cotter Pin	1	HFS181	
7	Nylon Washer	2	HFS1109	



7311.20 5/8

10



7311.21 1/2  
7311.21 5/8

11

11

No.	Description	Order	Part No	Part No
<b>11 Long Link Plate w/Toggle</b>				
1	Jaw Jaw Toggle	1	H-42159	H-41300
2	Link Plate Straps	2	H-42178	H-42178
3	Cross Pin	1	H-42170	H-42171
4	Lower Clevis Pin	1	H-42395	H-42397
5	Isolator	2	H-42182	H-42182
6	Cotter Pin	2	HFS220	HFS203
7	Nylock Nut (M12)	2	HFS846	HFS846
8	Allen Cap Screws (M6 x 1 x 12mm)	4	HFS876	HFS876