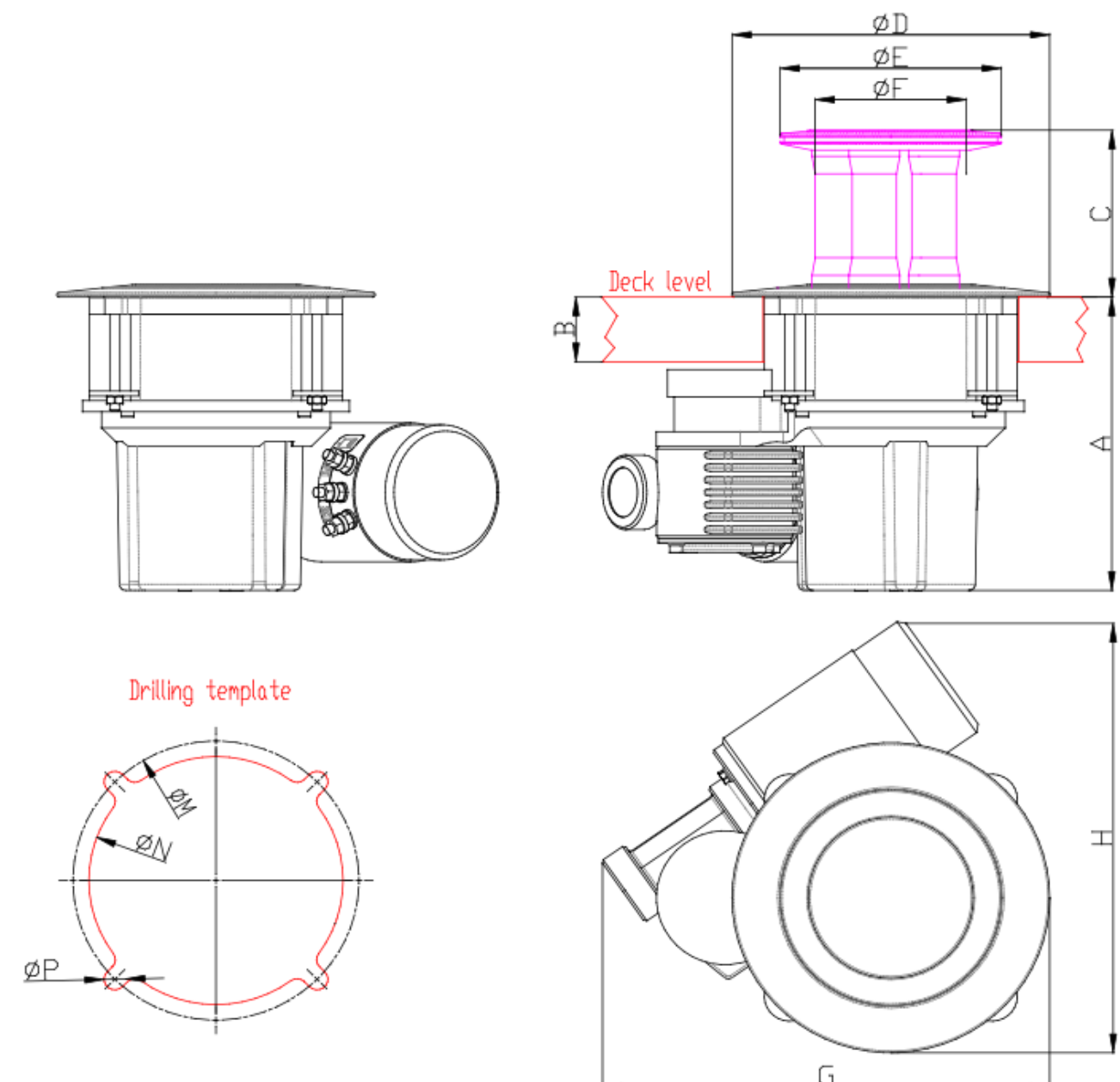


Part No.	Dimensions											
	A		B max		E		G		H		P	
	in	mm	in	mm	in	mm	in	mm	in	mm	in	mm
CLR 600 hy	9 3/4	250	3	75	5 5/8	144	12 4/8	318	14	355	6/8	20
CLR 1200 hy	9 1/4	237	2 1/8	55	6 7/8	174	13 5/8	346	13 6/8	350	6/8	20
CLR 2500 hy	9 3/4	250	2 1/8	55	8 2/8	209	16	405	16 4/8	420	6/8	20
CLR 4000 hy	19 1/4	492	4 6/8	120	9 5/8	244	22	560	19	482	1 1/8	30
CLR 8000 hy	26 2/4	673	4 1/8	106	12 1/8	309	24 3/8	620	30 3/8	773	1 2/8	32



Part No.	Ø				Height		Weight								Line Ø				Fastener circle		Fastener (SH or HH)		Max. working load		Line speed minute @ no load	
	Drum		Base																							
	F		D		C		Alluminum		Chrome		SS		TC		min		max		M							
	in	mm	in	mm	in	mm	lb	Kg	lb	Kg	lb	Kg	lb	Kg	inch	mm	inch	mm	in	mm	in	mm	lb	Kg	ft	m
CLR 600 hy	3 6/8	94	7 7/8	200	4 3/8	110	30,9	14,0	39,7	18,0	-	-	37,5	17,0	8/16	12	1/2	18	6 7/8	175		3xM8	1325	600	59	18
CLR 1200 hy	4 5/8	119	9 3/4	250	5 5/16	135	39,7	18,0	48,6	22,0	-	-	46,4	21,0	8/16	12	11/16	18	8 7/8	225		4xM8	2649	1200	32 6/8	10
CLR 2500 hy	5 8/16	140	12 2/8	310	5 2/16	130	57,4	26,0	-	-	70,6	32,0	70,6	32,0	8/16	12	15/16	24	11 2/8	285		6xM8	5519	2500	32 6/8	10
CLR 4000 hy	7 1/4	185	14 6/16	365	9 10/16	244	198,7	90,0	-	-	218,5	99,0	253,9	115,0	10/16	16	1 3/16	30	12 6/8	325		6xM10	8830	4000	45 7/8	14
CLR 8000 hy	9 3/4	250	16 12/16	425	9 11/16	247	551,9	250,0	-	-	574,0	260,0	794,7	360,0	14/16	22	1 6/16	35	15 3/16	385		8xM10	17660	8000	72 1/8	22