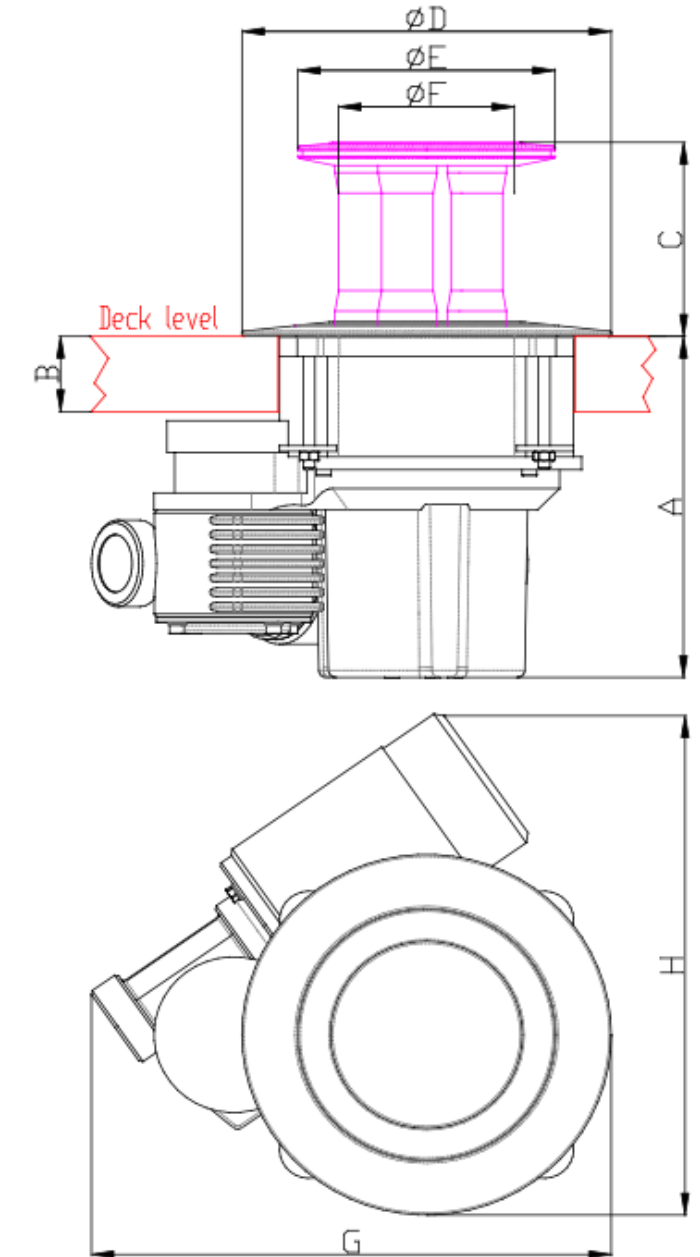
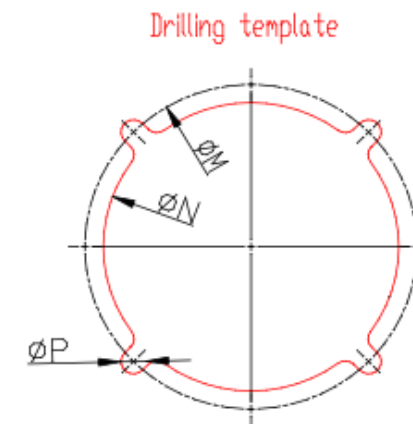
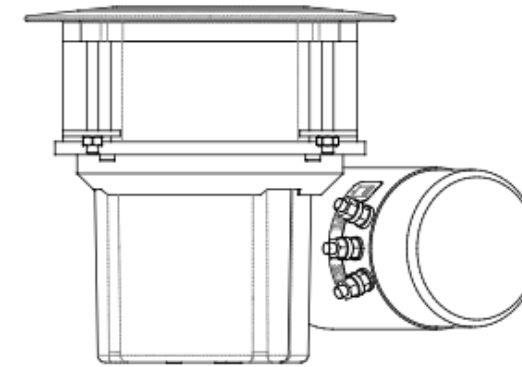


Part No.	Dimensions											
	A		B max		E		G		H		P	
	in	mm	in	mm	in	mm	in	mm	in	mm	in	mm
CLR 600 12V/24V	9 3/4	250	3	75	5 5/8	144	12 4/8	318	14	355	6/8	20
CLR 1200 12V/24V	9 1/4	237	2 1/8	55	6 7/8	174	13 5/8	346	13 6/8	350	6/8	20
CLR 2500 24V	9 3/4	250	2 1/8	55	8 2/8	209	16	405	16 4/8	420	6/8	20
CLR 2500 400VAC	12	307	2 1/8	55	8 2/8	209	22 5/8	574	20 2/8	515	6/8	20
CLR 4000 24V	19 1/4	492	4 6/8	120	9 5/8	244	22	560	23 7/8	605	1 1/8	30
CLR 4000 400VAC	25	636	4 6/8	120	9 5/8	244	19	483	30 3/8	771	1 1/8	30
CLR 8000 400VAC	26 2/4	673	4 1/8	106	12 1/8	309	24 3/8	620	43 7/8	1113	1 2/8	32



Part No.	Ø				Height		Weight								Line Ø				Fastener circle		Fastener (SH or HH)		Max working load		Line speed minute @ no load	
	Drum		Base																							
	F		D		C		Alluminum		Chrome		SS		TC		min		max		M							
	in	mm	in	mm	in	mm	lb	Kg	lb	Kg	lb	Kg	lb	Kg	inch	mm	inch	mm	in	mm	in	mm	lb	Kg	ft	m
CLR 600 12V/24V	3 6/8	94	7 7/8	200	4 3/8	110	39,7	18,0	48,6	22,0	-	-	46,4	21,0	8/16	12	1/2	18	6 7/8	175		3xM8	1325	600	59	18
CLR 1200 12V/24V	4 5/8	119	9 3/4	250	5 5/16	135	48,6	22,0	57,4	26,0	-	-	55,2	25,0	8/16	12	11/16	18	8 7/8	225		4xM8	2649	1200	49 2/8	15
CLR 2500 24V	5 8/16	140	12 2/8	310	5 2/16	130	66,2	30,0	-	-	79,5	36,0	79,5	36,0	8/16	12	15/16	24	11 2/8	285		6xM8	5519	2500	55 6/8	17
CLR 2500 400VAC	5 2/4	140	12 2/8	310	5 2/16	130	121,4	55,0	-	-	134,7	61,0	134,7	61,0	8/16	12	15/16	24	11 2/8	285		6xM8	5519	2500	65 5/8	20
CLR 4000 24V	7 1/4	185	14 6/16	365	9 10/16	244	234,0	106,0	-	-	253,9	115,0	253,9	115,0	10/16	16	1 3/16	30	12 6/8	325		6xM10	8830	4000	75 4/8	23
CLR 4000 400VAC	7 1/4	185	14 6/16	365	9 10/16	244	357,6	162,0	-	-	377,5	171,0	377,5	171,0	10/16	16	1 3/16	30	12 6/8	325		6xM10	8830	4000	59	18
CLR 8000 400VAC	9 3/4	250	16 12/16	425	9 11/16	247	772,6	350,0	-	-	794,7	360,0	794,7	360,0	14/16	22	1 6/16	35	15 3/16	385		8xM10	17660	8000	72 1/8	22