



# 8685/8686 Portable Dock Box

5025 11-13



## PARTS

### 8685 Portable Dock Box (38" x 23" x 18")

QTY	Description
-----	-------------

4	1/4" x 28" Round Battens
---	--------------------------

4	1/4" x 38" Round Battens
---	--------------------------

8	Black Webbing Corner Sleeves
---	------------------------------

## PARTS

### 8686 Portable Dock Box (66" x 23" x 18")

4	1/4" x 28" Round Battens
---	--------------------------

4	1/4" x 66" Round Battens
---	--------------------------

8	Black Webbing Corner Sleeves
---	------------------------------

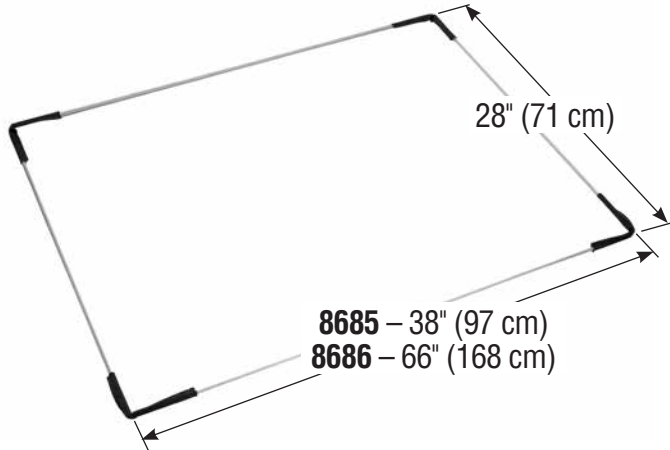
2	18" Black Webbing Center Battens
---	----------------------------------

## Assembly Instructions

## Assembly 8685/8686

1) Assemble first stiffener rectangle. Push one 38" (97 cm) or one 66" (168 cm) white batten halfway into Black Webbing Corner Sleeve. Next, push one 28" (71 cm) white batten into other end of sleeve. Finish building rectangle using three sleeves and two rods (see photo below).

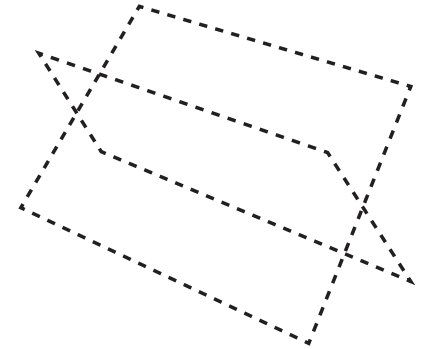
2) Build second stiffener rectangle in same fashion using remaining two 28" (71 cm) and two 38" (97 cm) or 66" (168 cm) white battens and four Black Webbing Corner Sleeves.



3) Insert first rectangle into the Portable Dock Box. Place the long side of rectangle on long-side bottom seam at back of box. Make sure frame fits snugly into corners.

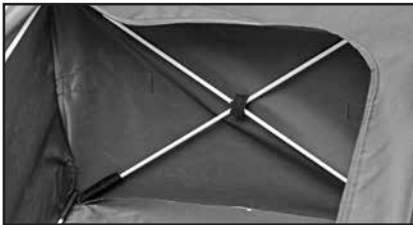


4) Position other long side of rectangle under top front lip of box, making sure that frame fits into corners.



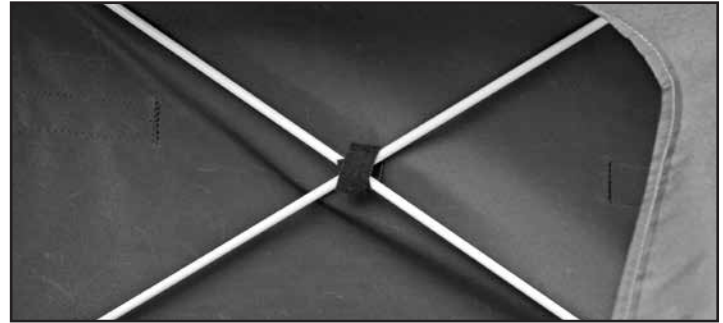
## Assembly 8685/8686

5) Next, insert second rectangular stiffener. Long side of rectangle should lay on front bottom seam of Box. Snap opposite side of rectangle into place under back lip of Box.

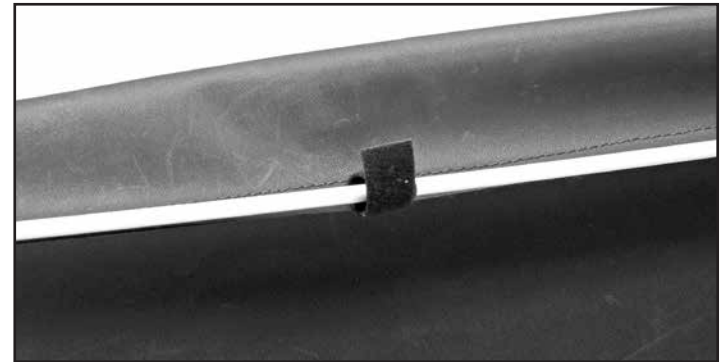


Rods should cross at each end of box.

6) After rod rectangles are in place, fasten the hook/pile midpoint straps around each cross at box ends.



7) Fasten hook/pile midpoint strap around the top rod at front and back of box.



# HARKEN®

C A N V A S

## Assembly 8686 Only



8) Insert one Black Webbing Center Batten inside Box. Use loop/pile tab at each end to fasten over top and bottom white battens in center front of Box.

Insert second Black Webbing Center Batten and place on mid-back of box in the same way.

These stiffeners help keep 66" (168 cm) long Round Battens from bending.

*Tip: Use webbing tabs with grommets to secure box to dock, etc.*



W15W24983 Bluemound Rd., Pewaukee, WI 53072-4974 USA, Tel: (262) 691-3320, Fax: (262) 701-5779

**Web:** [harkencanvas.com](http://harkencanvas.com)