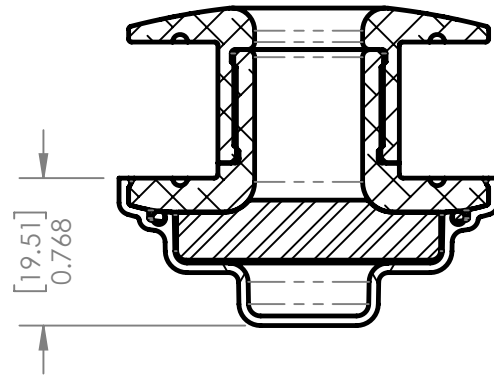
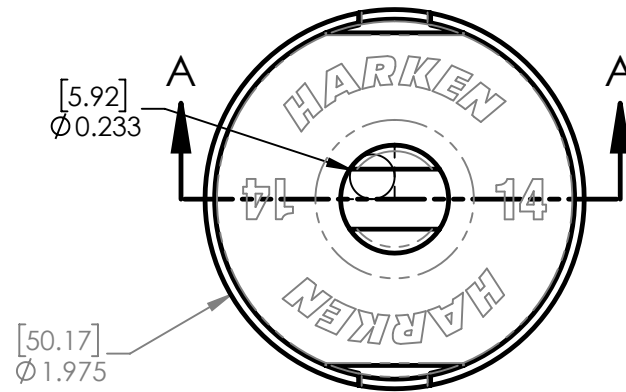


NOTES:

- ALL DIMS REF
- DOUBLE THRU DECK BUSHING SHOWN FOR INSTALLATION REFERENCE ONLY - NOT INCLUDED IN BOM



SECTION A-A