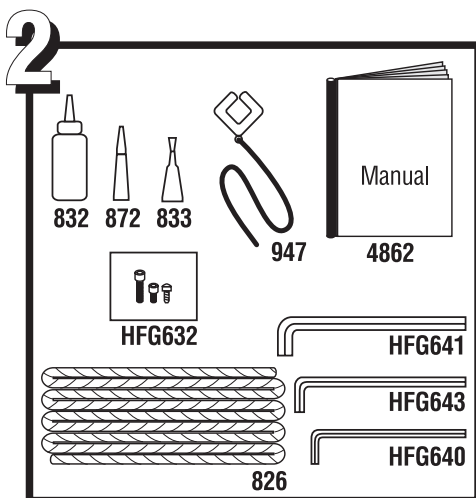


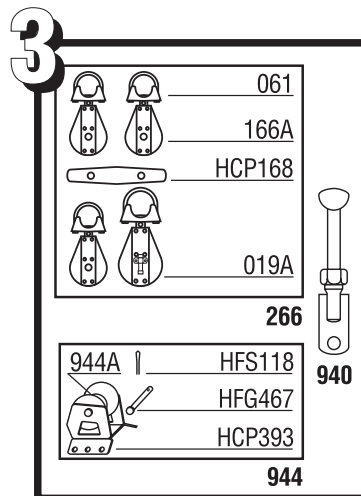
## 1 - Upper Assembly & Components

- 816 Extrusion - 2' Luff
- 850 Halyard Swivel
  - 4456 Label - 3/8" x 2 1/8"
  - 2110 Shackle - (6 mm) 1/4" Bow
  - 2112 Shackle - (6 mm) 1/4" Twist
  - HFG168 Snap Ring - Large
  - HFG244 Snap Ring - Small
  - HSB17 Ball Bearing - 1/4" Torlon (order 96)
- 851 Torque Tube
  - 4753 Label - Small Red Oval
  - HFG721 Set Torque Tube Clamp Screws (2)
  - HFS330 Fastener - M6x1.0x30 316 Sk Cap
- 906 Extrusion - 7' Luff
- 908 Connector - 7.625" Bottom
- 909 Connector - 6"
- 910 Trim Cap
- 913 Feeder
  - HFG214 Fastener - 10-32 x 3/8" 18-8 Slit Ov
- 925 Locking Collar - w/Insert
  - 925Collar Collar
  - HFG213 Plastic Insert
- 933 Connector Screw Set (14)
  - HFS179 Fastener - 8/32" x .156" Slit Fl #6
- 946 Wedge Set (7 long, 2 short)
  - HFG216 Connector Wedge
  - HFG217 Short Connector Wedge
- HFG223 Extrusion Set (5 long, 1 short)
  - 816 Extrusion - 2' Luff
  - 906 Extrusion - 7' Luff
- HFG631 Fastener Set (3)
  - HFS331 Fastener - M5 x 8 x 8mm A4 Sk Cap



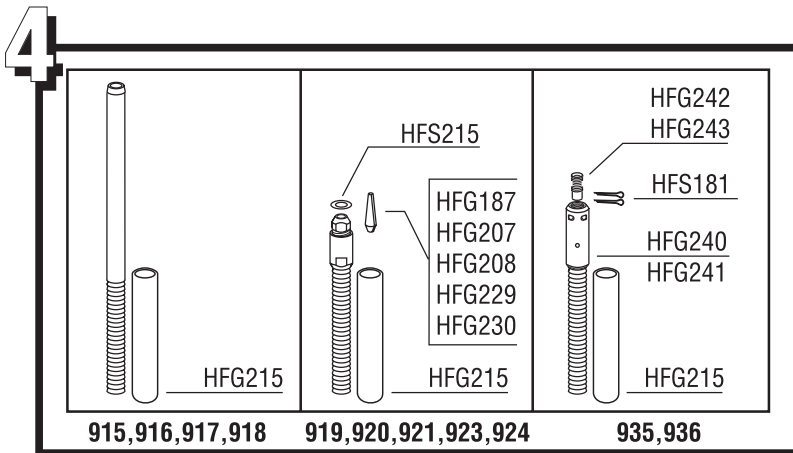
## 2 - Accessories

- 4112 Manual - Furling
- 826 Line - 1/4" x 55'
  - HCP237 Hog Ring - 1/4"
- 833 Loctite - Blue
- 872 Super Glue
- 832 Loctite - 0 Red
- 947 Prefeeder - Phenolic w/Line
- HFG632 Fastener Set - Spare
- HFG641 Wrench - M4 Allen Long
- HFG642 Wrench - M5 Allen Short



## 3 - Optional Parts

- 266 Kit - Small Lead Block
  - 019A Block - 2.25" Hex Stbd
  - 061 Stanchion Mount Base
  - 166A Block - Bullet Swivel
  - HCP168 Cleat - 4" Black
- 940 Isomat Adapter - Specify Clevis Size
- 944 Halyard Restrainer - Small
  - 944A Sheave & SS Inner Race Only
  - HCP393 Bracket - Small Halyard Restrainer
  - HFG467 Clevis Pin - 1/4" x 1.0625" 18-8
  - HFS118 Cotter Pin - 1/16" x .500" 18-8



## 4 - Studs & Components

### Swage Studs

- HFG215 Stud-Cap - 7/16" ID x 3" Red
- 915 Stud - 5/32" (4 mm) Swage
- 916 Stud - 3/16" (5 mm) Swage
- 917 Stud - 7/32" (7 mm) Swage
- 918 Stud - 6 mm Swage (type 316 only)

### Sta-Lok Studs

- HFG215 Stud-Cap - 7/16" ID x 3" Red
- 919 Stud - 5/32" Sta-Lok
- HFG207 Wedge - 5/32" (4 mm) Sta-Lok
- HFS215 Washer - 3/8" .068 x .813 x .406 18-8
- 920 Stud - 3/16" Sta-Lok
- HFG229 Wedge - 3/16" Sta-Lok
- HFS215 Washer - 3/8" .068 x .813 x .406 18-8
- 921 Stud 7/32" Sta-Lok
- HFG230 Wedge - 7/32" Sta-Lok
- HFS215 Washer - 3/8" .068 x .813 x .406 18-8
- 923 Stud - 5 mm Sta-Lok Unit 0
- HFG208 Wedge - 5mm Sta-Lok
- HFS215 Washer - 3/8" .068 x .813 x .406 18-8
- 924 Stud - 6 mm Sta-Lok
- HFG187 Wedge - 6 mm Sta-Lok
- HFS215 Washer - 3/8" .068 x .813 x .406 18-8

### Rod

- HFG215 Stud-Cap - 7/16" ID x 3" Red
- 935 Stud -4 Rod Adpt w/Nosepiece
- HFG240 Stud - Main Body
- HFG242 Nosepiece -4
- HFS181 Cotter Pin - 3/32" x 1" 18-8
- 936 Stud -6 Rod Adpt w/Nosepiece
- HFG241 Stud - Main Body
- HFG243 Nosepiece -6
- HFS181 Cotter Pin - 3/32" x 1" 18-8

## 5 - Drum Assembly & Components

- HFG867<sup>5/16</sup> Drum Assembly 5/16" Clevis - Complete
- HFG867<sup>3/8</sup> Drum Assembly 3/8" Clevis - Complete
- HFG867<sup>7/16</sup> Drum Assembly 7/16" Clevis - Complete
- HFG600 Spool Assembly - Complete
- H-15549C Spool Assembly Half
- H-16547A Fastener - M6 x 1.00-6G 316 (order 4)
- HFG750 Line Guard Assembly
- H-24398B Line Guard (order 2)
- HFS342 Fastener - M6 x 1.00 GC Screw (order 2)
- HFG871 Hub - w/o Lower Toggle
- 4840 Label - Tack Swivel
- HCP713 Helicoil Insert (m5x0.8x5)
- HFG660 Tack Shackle Assembly
- 2110 Shackle - (6 mm) 1/4" Bow
- H-17786A Swivel Bracket
- HFG161 Swivel Pin - 13/32"
- HFG162 Plastic Washer
- HFS118 Pin - 1/16" x .500 18-8 Cotter
- HSB28 Clevis Pin - 1/4" x .875"
- 930, 931, 932 Lower Toggle
- HFG202 Clevis Pin 5/16" - Lower Toggle
- HFG203 Clevis Pin 7/16" - Lower Toggle
- HFG204 Clevis Pin 3/8" - Lower Toggle
- HFG210 Lockwasher - Toggle
- HFG211 Lock Nut
- HFG212 Flat Washer - Lower Toggle
- HFS113 Cotter Pin

