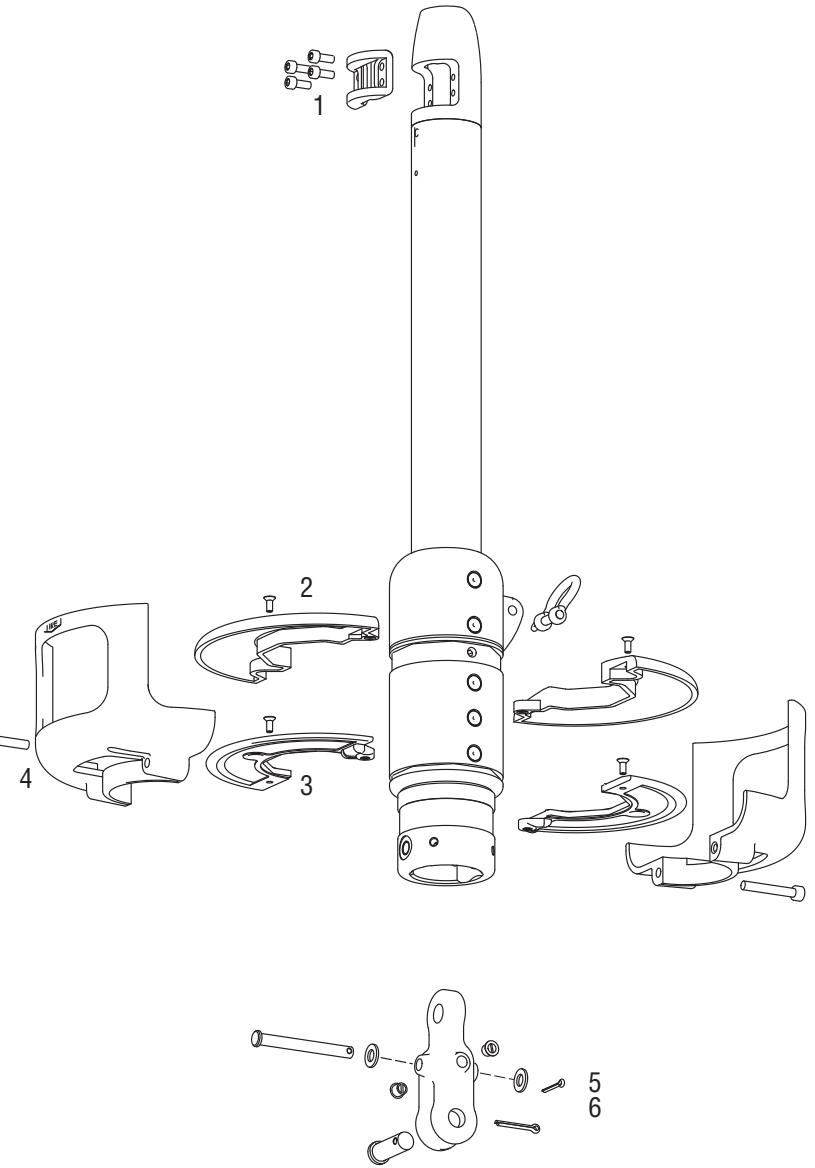


Drum Assembly

Part No.	Description	Qty	0	1	2	3
1	Clamp with Fasteners	1	HFG695	HFG696	HFG697	HFG717
	Clamp	1	H-42959	H-42954	H-42346	H-42967
	Fasteners	4	HFS1102	HFS827	HFS747	HFS1107
2	Top Cover Assembly	1	HFG683	HFG686	HFG689	HFG692
	Cover	2	H-38817	H-35665D	H-35025D	H-38819
	Screws	2	HFS980	HFS980	HFS1060	HFS1091
3	Bottom Flange Assembly	1	HFG684	HFG687	HFG690	HFG693
	Flange	2	H-38818	H-35600C	H-35465C	H-38820
	Screws	2	HFS980	HFS980	HFS1060	HFS1060
4	Guard Assembly	1	HFG685	HFG688	HFG691	HFG694
	Guard	2	H-38293	H-35199E	H-33758E	H-38212
	Guard Screws	2	HFS1052	HFS1052	HFS873	HFS1110

Eye Jaw Toggle Assembly

Part No.	Description	Qty	0	1	2	3	
5	Toggle Assembly Small Pin	1	7410.20 3/8	7411.20 1/2	7412.20 5/8	7413.20 3/4	
	Toggle	1	H-37687C	H-37675C	H-37647C	H-42351	
	Crosspin	1	H-42401	H-42396	H-42398	H-42402	
	Nylon Washer	2	HFS1108	HFS1109	HFS1005	—	
	Cross Hole Plug	2	H-42050	H-42049	H-42045	H-42052	
	Clevis Pin	1	H-36957A* H-42400	H-35588A* H-42395	H-33812A* H-42397	H-38257A* H-42403	
	Cotter Pin	1	HFS181	HFS181	HFS203	HFS203	
	Cotter Pin	1	HFS181	HFS220	HFS220	HFS220	
	6	Toggle Assembly Large Pin	1	7410.20 7/16	—	—	7413.20 7/8
		Toggle	1	H-37686C	—	—	H-42352
Crosspin		1	H-36840A* H-42401	—	—	H-38146A* H-42402	
Nylon Washer		2	HFS1108	—	—	—	
Cross Hole Plug		2	H-42050	—	—	H-42052	
Clevis Pin		1	H-36833A* H-42399	—	—	H-38096A* H-42404	
Cotter Pin		1	HFS181	—	—	HFS203	
Cotter Pin		1	HFS181	—	—	HFS220	



*Current part number will be replaced by the new part number shown below it.