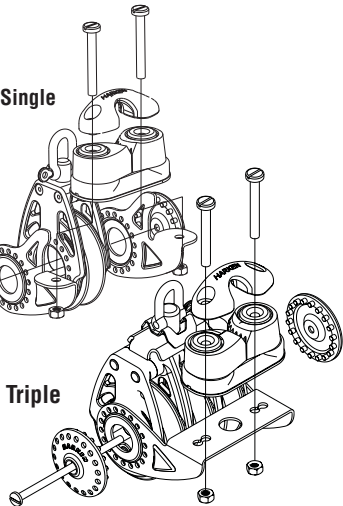


Assembly

Single



Triple

Printed in USA 4879/8-08

1251 E. Wisconsin Ave • Pewaukee, WI 53072 U.S.A.
Tel: (262) 691-3320 • Fax: (262) 691-3008 • www.harken.com

HARKEN®

INSTRUCTION SHEET

Carbo Blocks



Strictly follow all instructions to avoid an accident, damage to your vessel, personal injury or death. See www.harken.com for additional safety information. **DO NOT** use Harken equipment for human suspension.

3-WAY CAM-LOCK (Singles/Fiddles)

CAM LEVER UP

Block locks in front or side position



CAM LEVER DOWN—block turns freely

3-WAY U-LOCK (Doubles/Triples)

HEADPOST LOCK FROM FRONT TO SIDE

Remove shackle, turn post, install shackle

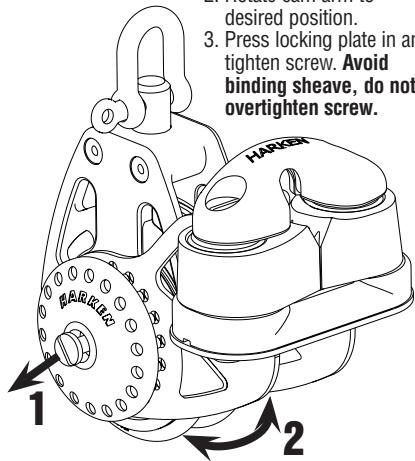
Parts: 40mm—H-27808A/57mm—30301A/75mm—H-29934B



REMOVE U-LOCK—block swivels freely

Adjust Cam Angle (Single/Triple)

1. Loosen cam arm locking plate screw and pull outward to disengage.
2. Rotate cam arm to desired position.
3. Press locking plate in and tighten screw. **Avoid binding sheave, do not overtighten screw.**



Reverse Cam Cleat (Single Only)

1. Remove screws from cam.
2. Assemble as shown. Note: use plastic plate on cam bottom.
3. Tighten screws. **Do not overtighten screws. Cam pawls should snap shut smartly.**

