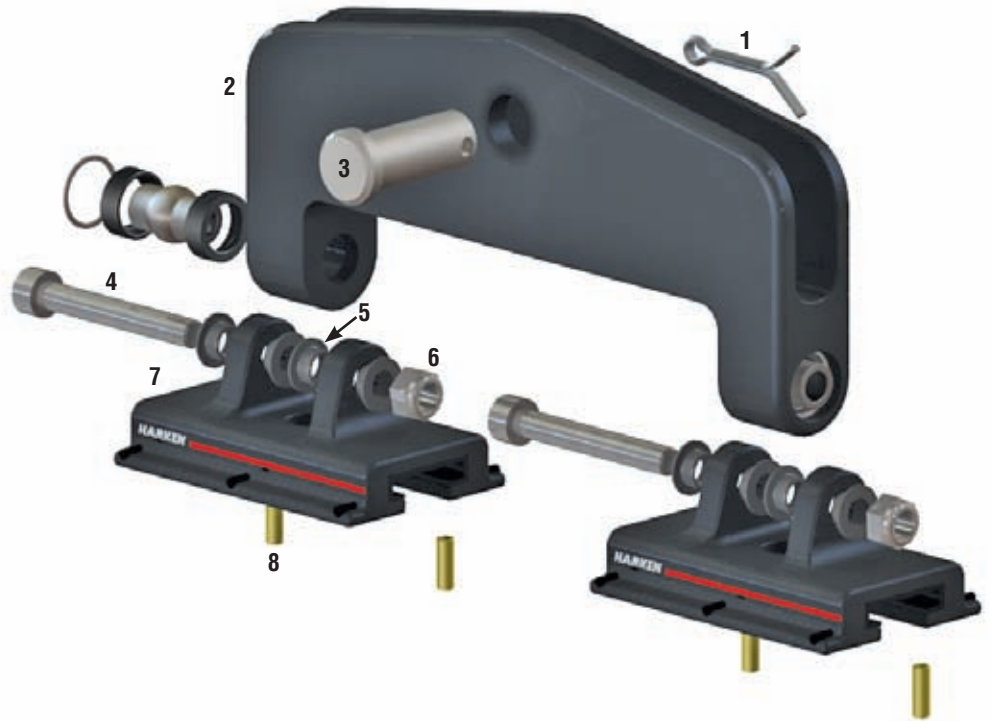
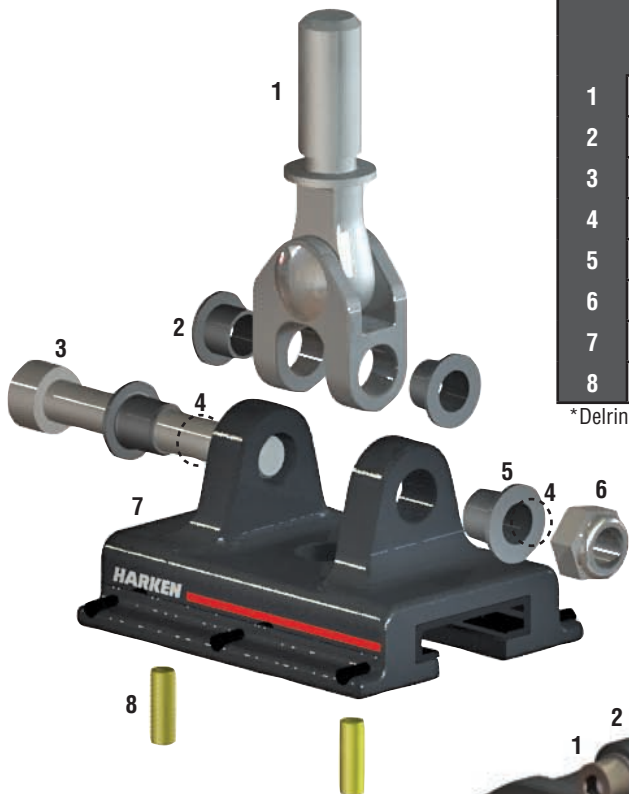


HC9045—26 mm System	
Part No.	
1	HFS203
2	HC9045A (H-45044, H-45043, H-45042)
3	H-37545A
4	HFS1146
5	H-464663
6	HFS1586
7	H-43304
8	H-31089A



HC9046—32 mm System	
Part No.	
1	HFS203
2	HC9046A (H-46175, H-46174, H-46173)
3	H-37545A
4	H-36101A
5	HCP1730
6	HFS191
7	HFS1586
8	Contact Harken
9	H-37242A



	HC7324 Part No.	HC8098 Part No.	HC7316 Part No.	C7814 Part No.
1	H-37359A	H-45452	H-45451	H-39218A
2	HCP1724	H-38838A	—	HCP1819
3	HFS1146	H-36101A	H36101A	H-48140
4	—	H-37226A*	H-37226A*	—
5	HCP1739	HCP1730	HCP1730	HCP1819
6	HFS1586	HFS1586	HFS1586	HFS937
7	H-43303	Contact Harken		
8	H-31089A	H-37242A	H-37242A	H-41991

\*Delrin washer



	HC8125 Part No.	HC8099 Part No.
1	H-40900	H-40891
2	HCP1739	HCP1730
3	H-40902	H36138A
4	HFS1586	HFS1586
5	—	—



	HC7325 Part No.
1	HFS1146
2	HCP1739
3	H-40902
4	HFS1586
5	H-43304
6	H-31089A



	HC7493 Part No.	HC7322 Part No.
1	HCP1739	HCP1730
2	H-37250A	H-36101A
3	H-37363A	H-36138A
4	HFS1586	HFS1586
5	H-43305	—
6	H-37089A	H-37242A



	HC8076 Part No.
1	H-40891
2	HFS130
3	HCP1730
4	H-36138A
5	HFS191
6	HFS1586
7	—
8	H-37242A