

# HARKEN®

## INSTALLATION SHEET

### 213 Windward Sheeting Adapter Kit

For use on Harken 156/157/158/159/171/172 Small Boat Cars

### 248 Windward Sheeting Adapter Kit

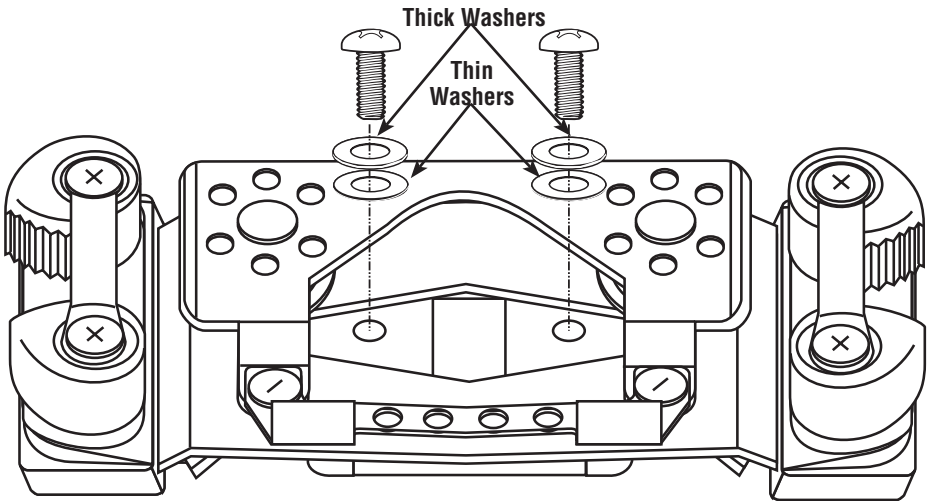
For use on 215 Small Boat Car

1251 East Wisconsin Avenue • Pewaukee, WI 53072 U.S.A.

Telephone: (262) 691-3320 • Fax: (262) 691-3008

Web: harken.com • E-mail: harken@harken.com

### Installing Thick and Thin Washers

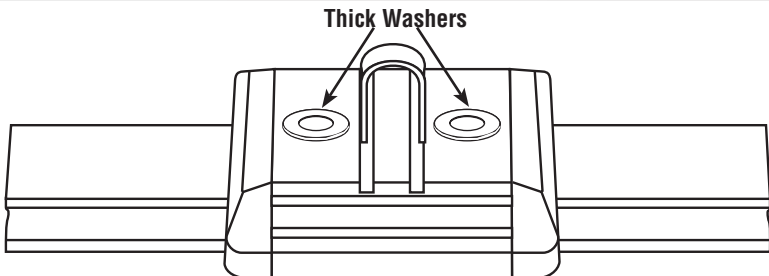


Two "thin" washers are included in the windward sheeting adapter kit. Slip a "thin" washer on the screw below the "thick" washer as shown below.

**Thickness of thin washer: .042" (1 mm)**

**Thickness of thick washer: .086 (2 mm)**

### 213 Kit Only: Installing Additional Thick Washers



Install the other "thick" washers between the windward sheeting mechanism and the car as shown in step 4 on page 4 of the manual. The additional thin washer is necessary so that the stopper tap hits the thick washer instead of the screw head.