

# HARKEN®

## INSTRUCTION SHEET

### Carbo Blocks

1251 East Wisconsin Ave • Pewaukee, WI 53072 U.S.A.  
Telephone: (262) 691-3320 • Fax: (262) 691-3008  
Web: [www.harken.com](http://www.harken.com) • Email: [harken@harken.com](mailto:harken@harken.com)

#### 3-WAY CAM LOCK – Singles/Fiddles

##### CAM LEVER UP

Block locks in front or side position



##### CAM LEVER DOWN

Block turns freely



#### 3-WAY U-LOCK – Doubles/Triples

##### HEADPOST LOCK FROM FRONT TO SIDE

Remove shackle, turn post and install shackle.

##### REMOVE U-LOCK

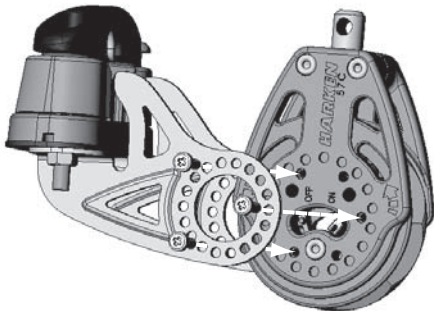
Remove U-Lock to let block swivel freely.



## Adjusting Cam Angle (Single/Triple)

1. Remove **three** cam arm screws on each side.
2. Carefully note position of **three** screw holes in block (see diagram).
2. Rotate cam arm to desired position and line up cam arm holes with screw holes on block.
3. Insert screws into screw holes and tighten.

***Do not overtighten screws or sheave will bind.***



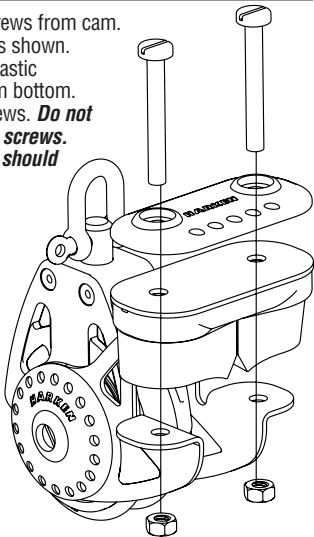
## Reversing Cam Cleat (Single Only)

1. Remove screws from cam.

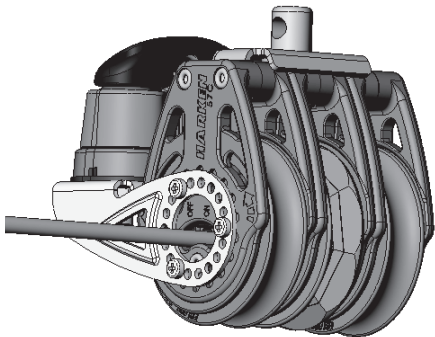
2. Assemble as shown.

Note: use plastic plate on cam bottom.

3. Tighten screws. **Do not overtighten screws. Cam pawls should snap shut smartly.**



## Switching Ratchet On/Off (Triple)



For most sailing you will want ratchet engaged. To switch ratchet on/off insert small screwdriver or rod to operate switch.



Additional information:  
[www.harken.com/manuals](http://www.harken.com/manuals)