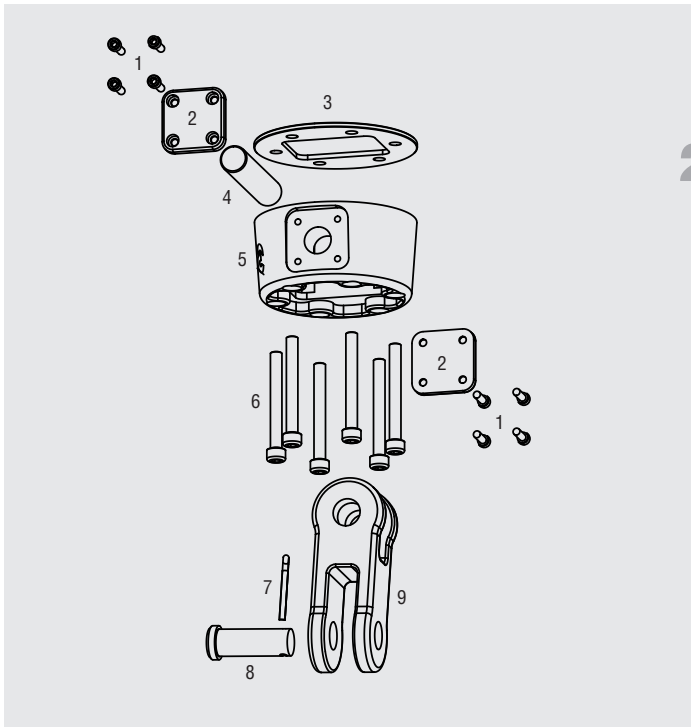


1

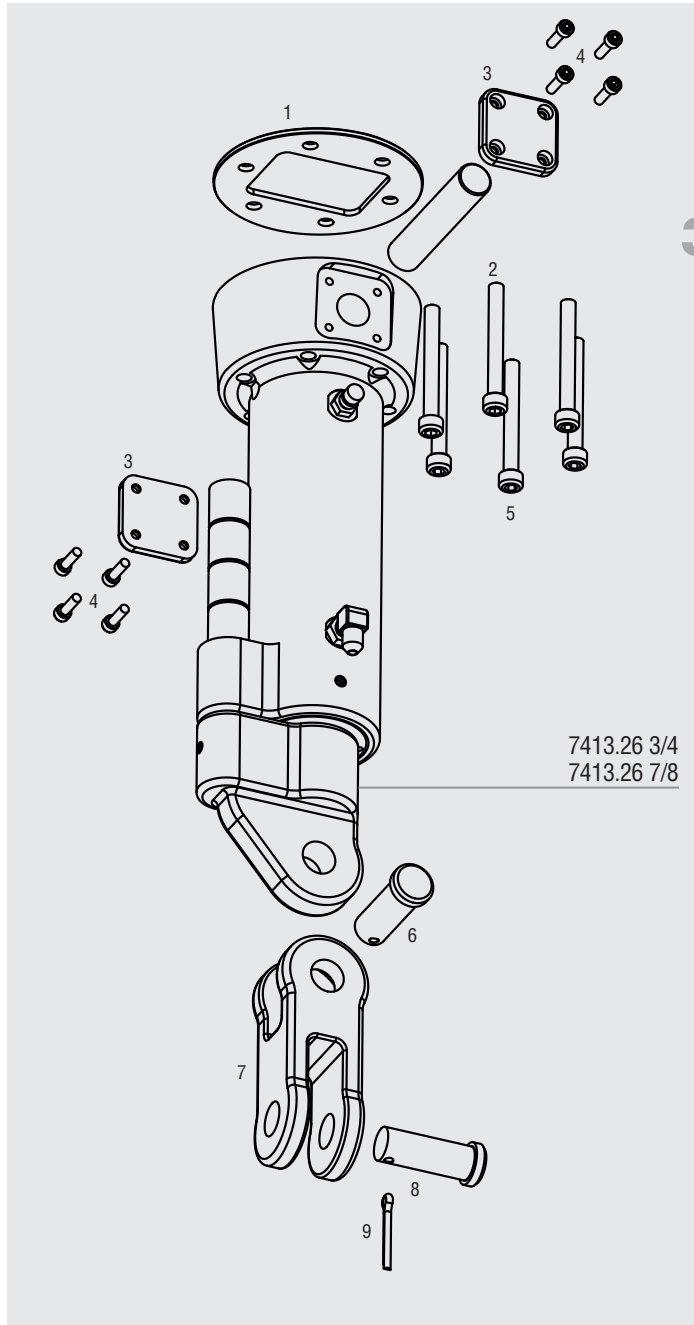
No.	Description	Order	Part No.
	Torque Tube Foil Clamp	1	H-42967
	Torque Tube Screws M8 X 125 mm SHCS	4	HFS1107
	Red Ring	1	H-51510
	Lower Unit	1	7413.15BASE
1	Smalley Ring	1	H-51494
2	Tack Swivel Top Washer	1	H-51493
3	1/2" Torlon Ball	23	HBB21
4	Tack Swivel Body	1	H-51491
5	1/2" Delrin Ball	23	HBB22
6	Tack Swivel Lower Washer	1	H-51492



2

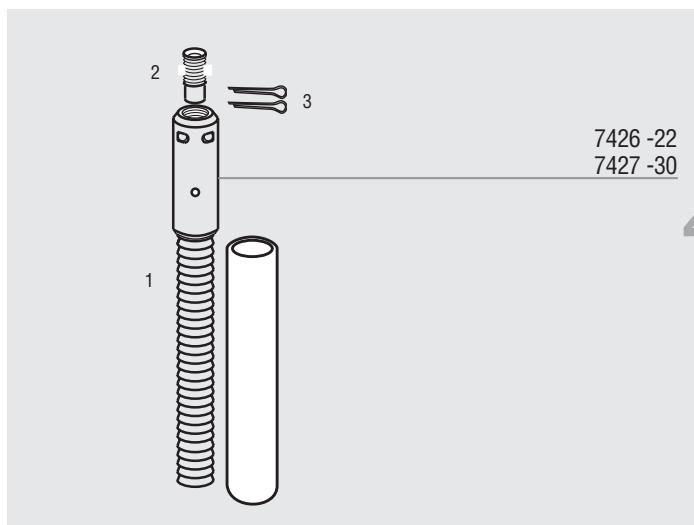
2

No.	Description	Order	Part No.
	Toggle Assembly Hydr 3/4"	1	7413.25 3/4
1	Toggle Plate Screws M5 X 16 mm SHCS	8	HFS982
2	Toggle Plate	2	H-51477
3	Toggle Housing Insulator	1	H-51475
4	Cross Pin 3/4"	1	H-52246
5	Toggle Housing 3/4"	1	H-52245
6	Toggle Housing Screws M8 X 70 mm SHCS	6	HFS1064
7	Cotter Pin 5/32" X 1.25"	1	HFS203
8	Clevis Pin 3/4" x 1.76" Grip Length	1	H-42403
9	Jaw Jaw Toggle 3/4"	1	H-41489
	Toggle Assembly Hydr 7/8"	1	7413.25 7/8
1	Toggle Plate Screws M5 X 16 mm SHCS	8	HFS982
2	Toggle Plate	2	H-51477
3	Toggle Housing Insulator	1	H-51475
4	Cross Pin 7/8"	1	H-51476
5	Toggle Housing 7/8"	1	H-51474
6	Toggle Housing Screws M8 X 70 mm SHCS	6	HFS1064
7	Cotter Pin 5/32" X 1.25"	1	HFS203
8	Clevis Pin 7/8" x 1.96" Grip Length	1	H-42404
9	Jaw Jaw Toggle 7/8"	1	H-41489



3

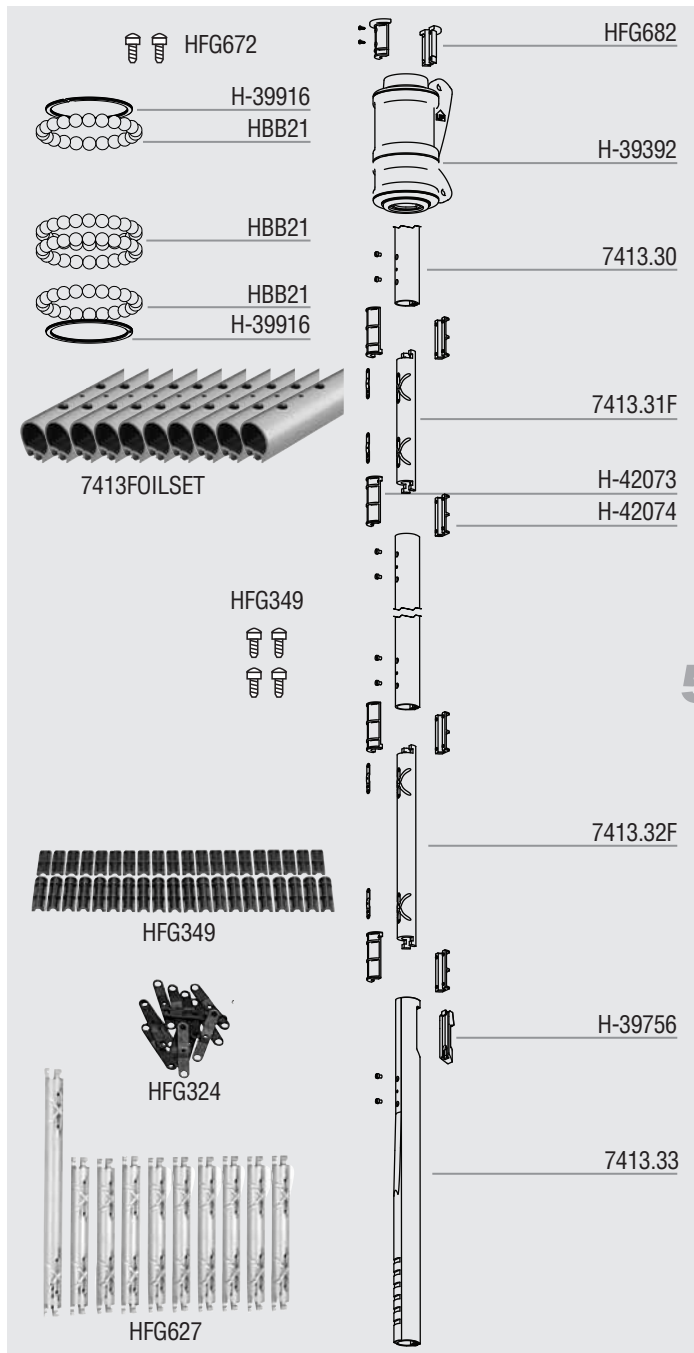
No.	Description	Order	Part No.
Hydraulic Cylinder—3/4" Pin			
1	Toggle Housing Insulator	1	H-51475
2	Cross Pin 3/4"	1	H-52246
3	Toggle Plate	2	H-51477
4	Toggle Plate Screws M5 X 16 mm SHCS	8	HFS982
5	Toggle Housing Screws M8 X 70 mm SHCS	6	HFS1064
6	Clevis Pin 3/4" x 1.76" Grip Length	2	H-42403
7	Jaw Jaw Toggle 3/4"	1	H-41489
8	Cotter Pin 5/32" X 1.25"	1	HFS203
Hydraulic Cylinder—7/8" Pin			
1	Toggle Housing Insulator	1	H-51475
2	Cross Pin 7/8"	1	H-51476
3	Toggle Plate	2	H-51477
4	Toggle Plate Screws M5 X 16 mm SHCS	8	HFS982
5	Toggle Housing Screws M8 X 70 mm SHCS	6	HFS1064
6	Clevis Pin 7/8" x 1.96" Grip Length	2	H-42404
7	Jaw Jaw Toggle 7/8"	1	H-41489
8	Cotter Pin 5/32" X 1.25"	1	HFS203



4

4

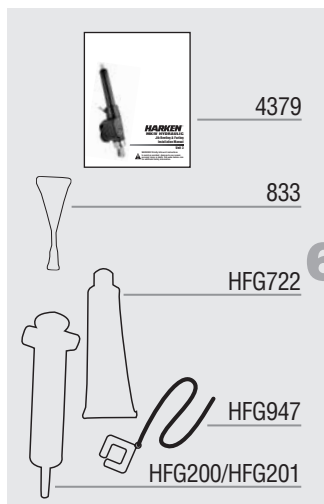
No.	Description	Order	Part No.
Rod Adapter Stud w/Nosepiece -22 Rod			
1	Stud (Main Body)	1	H-41812
2	Nosepiece -22	1	H-41811
3	Cotter Pin 3/32" x 1.750"	2	HFG319
	Stud Cap 7/8" ID	1	HFG303
Rod Adapter Stud w/Nosepiece -30 Rod			
1	Stud (Main Body)	1	H-41814
2	Nosepiece -30	1	H-41813
3	Cotter Pin 3/32" x 1.750"	2	HFG319
	Stud Cap 7/8" ID	1	HFG303



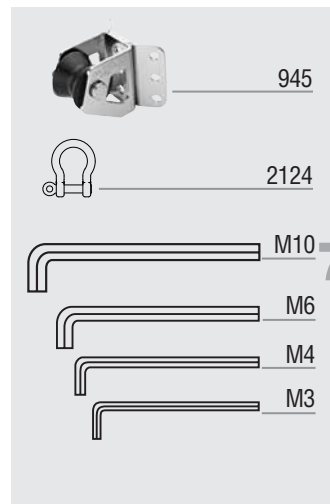
5

Description	Order	Part No.
Trim Cap Set w/o Screws	1	HFG682
Trim Cap Screw Set	1	HFG672
Trim Cap Screw	2	HFS1127
Halyard Swivel	1	H-39392
Clip/Smally Ring for Balls	2	H-39916
Torlon Ball Bearings	88	HBB21
Foil Set	1	7413FOILSET
Foil (7' / 2.13 m Luff)	10	7413.31
Foil (2' / 610 mm) Bottom	1	7413.33
Foil Screw Set	1	HFG349
Foil Screw	46	HFS1106
Connector Set	1	HFG627
Connector	9	7413.31F
Bottom Connector (9 ³ / ₄ " / 247 mm)	1	7413.32F
Connector Bushing Set	1	HFG297
Connector Bushing Top (Curved/Longer)	20	H-42073
Connector Bushing Bottom (Flat/Shorter)	20	H-42074
Plastic Connector Wedge Set	1	HFG324
Plastic Connector Wedge	22	H-39487
Feeder with Screw and Tab	1	H-39756
Feeder Tab	1	H-38372A
Screw	1	HFS1130

5



6



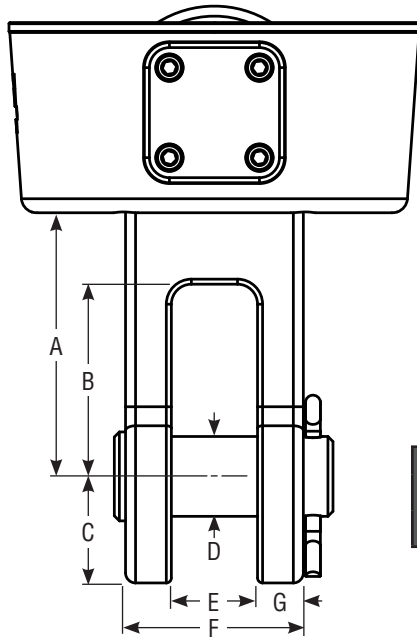
7

6

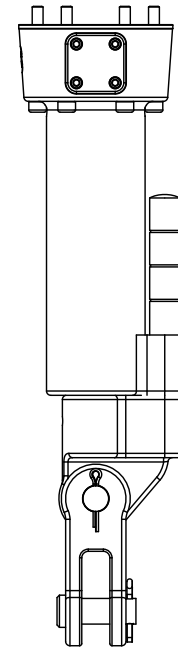
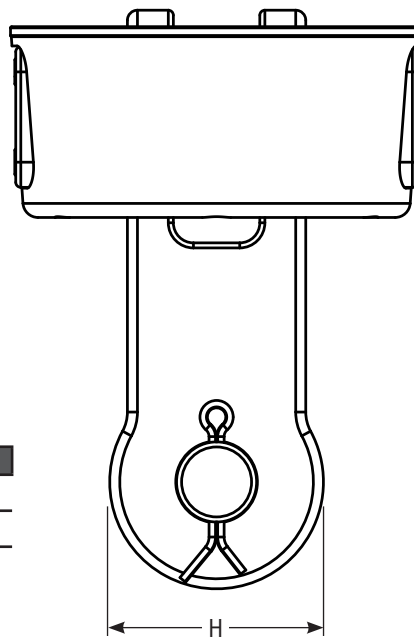
Description	Order	Part No.
Instruction Manual	1	4379
Blue Loctite®	1	833
5200 Adhesive Set	1	HFG725
5200 Marine Adhesive Sealant	1	HFG722
Injector	1	HFG200 HFG201
Prefeeder	1	947

7

Description	Order	Part No.
Halyard Restrainer (Optional)	1	945
Sheave/SS Inner Race Only	1	945A
Clevis Pin (1/4" x 1.0625" 18-8)	1	HCP208
Bracket-Large	1	HCP394
Cotter Pin (1/16" x .500" 18-8)	1	HFS181
Shackle	3	2124
Allen Wrenches		
M10	1	HFG647
M6	1	HFG644
M4	1	HFG640
M3	1	HCP1089



Unit	Part No.
3H	7413.25 3/4
	7413.25 7/8



Unit	Part No.
3H	7413.26 3/4
	7413.26 7/8

Toggle Dimensions*

A		B		C		D		E		F		G		H	
in	mm	in	mm	in	mm	in	mm	in	mm	in	mm	in	mm	in	mm
7413.25 3/4, 7413.26 3/4*															
2.08	52.83	1.739	44.17	1.024	26.01	0.744	18.90	0.814	20.68	1.746	44.35	0.468	11.89	2	50.8
7413.25 7/8, 7413.26 7/8															
2.662	67.61	2	50.80	1.156	29.36	0.868	22.05	0.94	23.88	1.938	49.23	0.499	12.67	2.312	58.72

*Toggle dimensions apply to standard toggle and cylinder option except A does not apply to cylinder